

(12) **United States Design Patent**
Fried

(10) **Patent No.:** **US D514,224 S**
(45) **Date of Patent:** **** Jan. 31, 2006**

(54) **ARM SLING**

(76) **Inventor:** **Scott Fried**, P.O. Box 186, 209
Cathcart Rd., Gwynedd, PA (US) 19437

(**) **Term:** **14 Years**

(21) **Appl. No.:** **29/201,751**

(22) **Filed:** **Mar. 19, 2004**

Related U.S. Application Data

(63) Continuation-in-part of application No. 10/641,896, filed on Aug. 15, 2003.

(51) **LOC (8) Cl.** **24-04**

(52) **U.S. Cl.** **D24/190**

(58) **Field of Classification Search** D24/190;
D3/224–226, 221; 602/20, 21, 4; 224/158,
224/159, 625

See application file for complete search history.

(56) **References Cited**

U.S. PATENT DOCUMENTS

3,256,880 A	6/1966	Caypinar	
3,745,998 A	7/1973	Rose	
4,211,219 A	7/1980	Alvey	
4,751,923 A *	6/1988	Marino	602/4
D311,453 S *	10/1990	Rice	D3/226
5,241,771 A	9/1993	Caustic	
5,292,042 A	3/1994	Yamaguchi et al.	
D350,025 S *	8/1994	Rolle	D3/226
5,423,333 A	6/1995	Jensen et al.	
D365,636 S *	12/1995	Kilbey	D24/190
5,492,256 A	2/1996	Ive	
D372,099 S *	7/1996	Troy et al.	D24/190
5,569,172 A	10/1996	Padden et al.	
5,657,912 A	8/1997	Nakayama	
5,665,058 A *	9/1997	Young	602/20

5,711,466 A	1/1998	Kataoka et al.	
5,830,165 A *	11/1998	Rowe et al.	602/4
D408,628 S	4/1999	Fusco	
D408,989 S *	5/1999	Miller et al.	D3/226
D419,291 S	1/2000	Pugh	

OTHER PUBLICATIONS

Zimmer Catalogue, General Medical/Surgical Products, 1987, p. L9, 2675 Zimfoam Shoulder Abduction Positioner.*

* cited by examiner

Primary Examiner—Ian Simmons

Assistant Examiner—Daniel Yu

(74) *Attorney, Agent, or Firm*—Garcia-Zamor IP Law; Ruy M. Garcia-Zamor

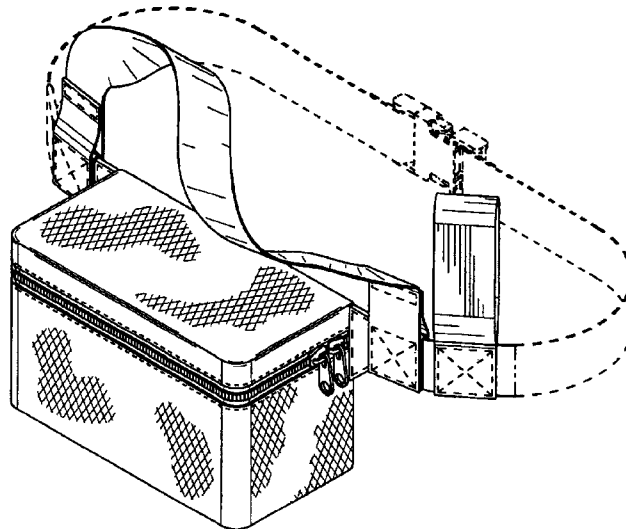
(57) **CLAIM**

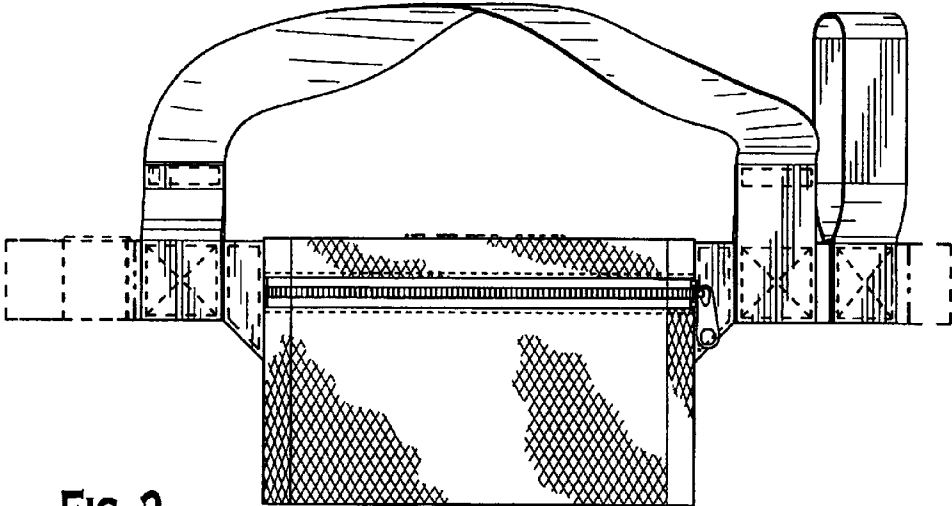
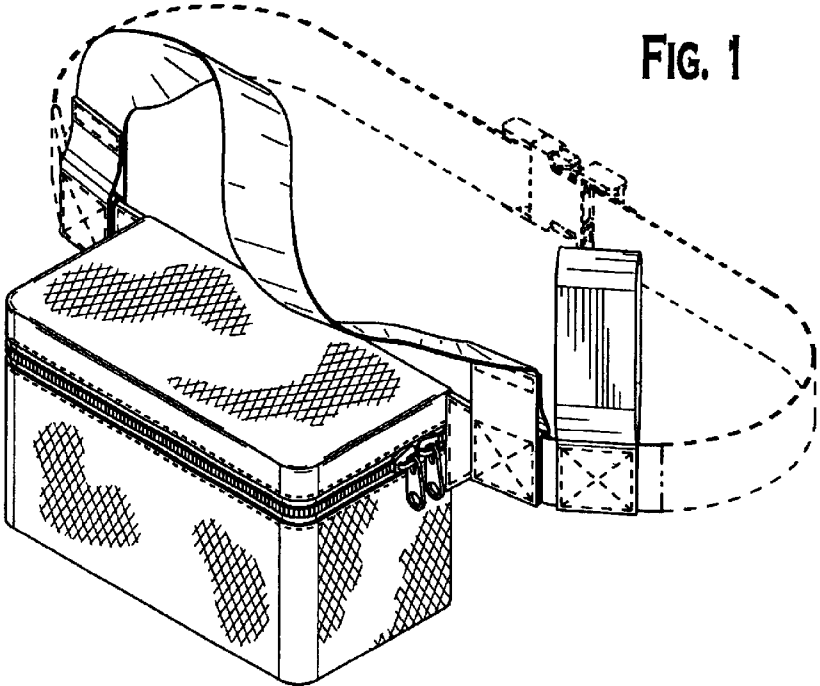
I claim the ornamental design for an arm sling, as shown and described.

DESCRIPTION

FIG. 1 is a perspective view of an arm sling according to a first preferred embodiment of my new design; FIG. 2 is a front elevational view of the arm sling of FIG. 1; FIG. 3 is a right side elevational view of the arm sling of FIG. 1; FIG. 4 is a left side elevational view of the arm sling of FIG. 1; FIG. 5 is a rear elevational view of the arm sling of FIG. 1; FIG. 6 is a top plan view of the arm sling of FIG. 1; and, FIG. 7 is a bottom plan view of the arm sling of FIG. 1. The dashed lines in FIGS. 1–7 represent environment and are for illustrative purposes only and do not constitute part of the claimed design. The phantom lines in FIGS. 1–7 define the border between claimed and unclaimed matter.

1 Claim, 3 Drawing Sheets





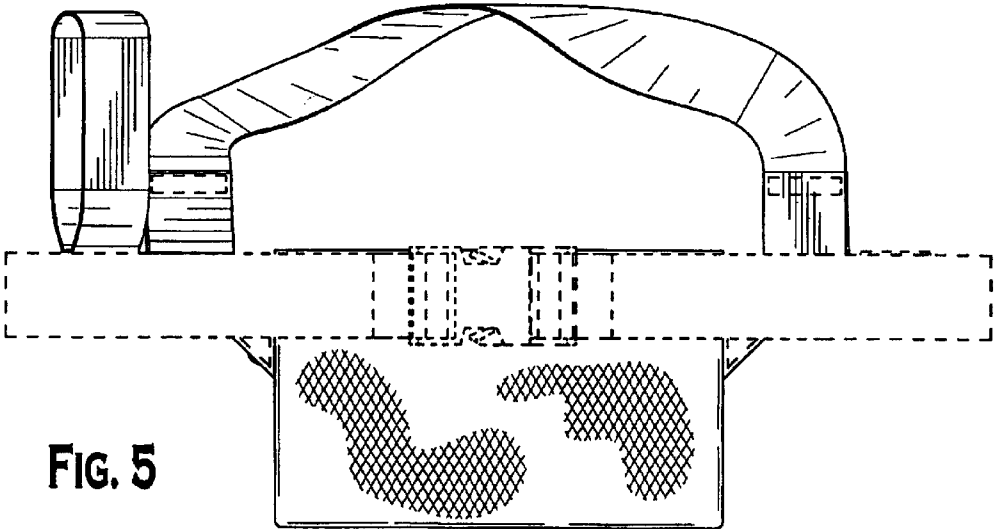
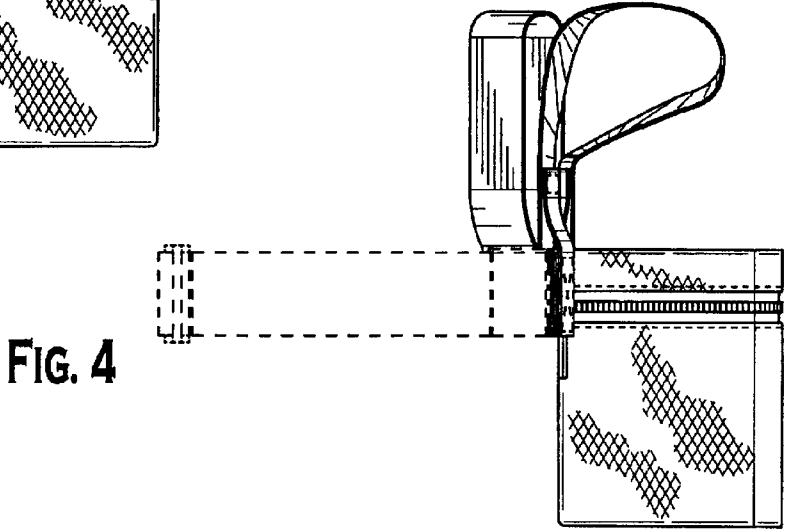
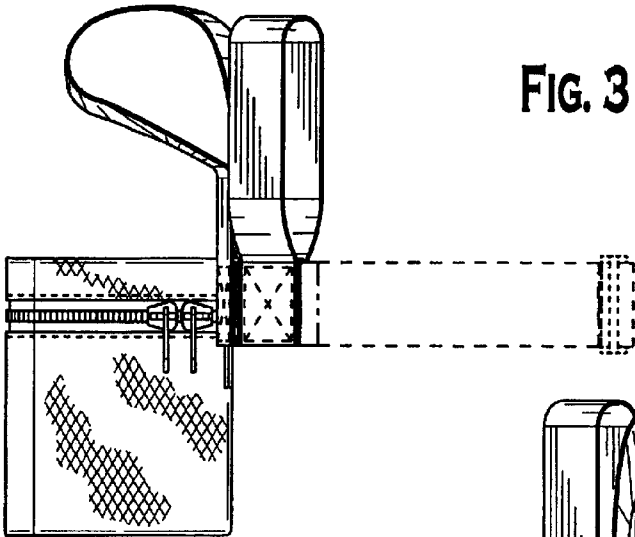


FIG. 6

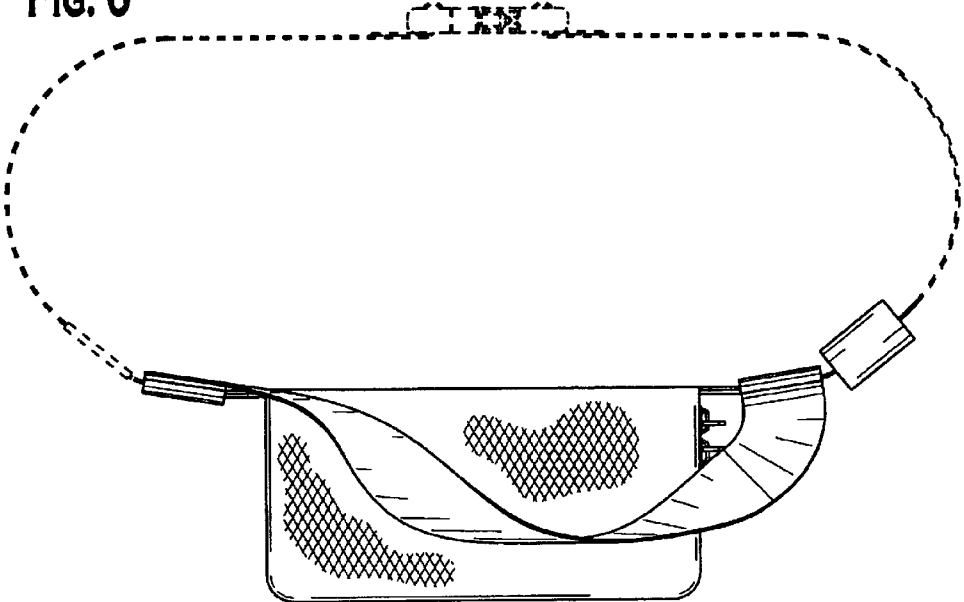


FIG. 7

